



RV MINING Teeth & Adapters



RS



VT



TT



E



LDH



LD

Teeth

Series	RS	VT	E	TT	LD	LDH
1000	RVM1000RS 114 lbs	RVM1000VT 136 lbs	-	RVM1000TT 146 lbs	RVM1000LD 207 lbs	-
1500	RVM1500RS 157 lbs	-	RVM1500E 172 lbs	-	RVM1500LD 257 lbs	RVM1500LDH 291 lbs
2500	RVM2500RS 197 lbs	RVM2500VT 202 lbs	-	-	-	-
3500	RVM3500RS 256 lbs	RVM3500VT 261 lbs	-	-	-	-



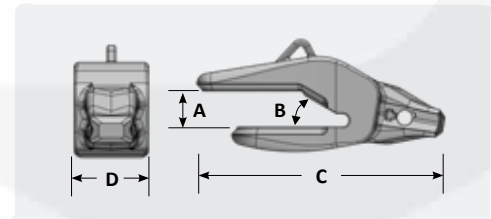
REVOLUTION
BLACK CAT HAMMERLESS PATENTED TECHNOLOGY

Adapters

Series	Part Number	Weight	A	B	C	D	Back Shape
1000	RVM1000-350C22	206 lbs	3.50"	22.5°	25.90"	7.75"	S
	RVM1000-350C30 (L/R) (SL)	198 lbs	3.50"	30°	25.90"	7.75"	R
	RVM1000-400C30 (SL)	204 lbs	4.00"	30°	25.90"	7.75"	R
1500	RVM1500-400C22	258 lbs	4.00"	22.5°	28.40"	8.50"	S
	RVM1500-400C30 (SL)	251 lbs	4.00"	30°	28.40"	8.50"	R
	RVM1500-475C22	294 lbs	4.75"	22.5°	31.46"	8.50"	S
	RVM1500-475C30	251 lbs	4.75"	30°	28.40"	8.50"	R
2500	RVM2500-475C30 (SL)	325 lbs	4.75"	30°	30.60"	9.25"	R
	RVM2500-550C30 (SL) (IC)	317 lbs	5.50"	30°	30.60"	9.25"	R
3500	RVM3500-550C30 (SL) (IC)	398 lbs	5.50"	30°	33.04"	10.00"	R

- (L/R) Left and Right Hand Spade Adapters Available
- (SL) Straddle Leg End Adapters Available
- (IC) Integral Corner Adapters Available
- R Round
- S Square

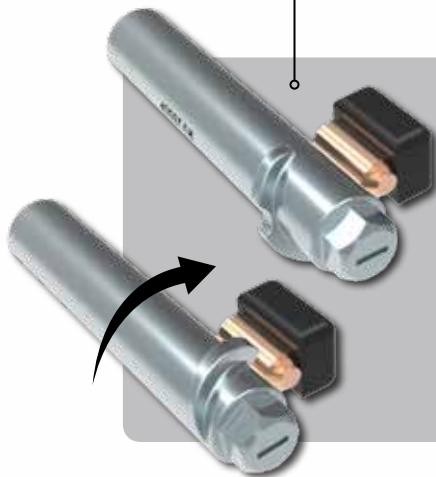
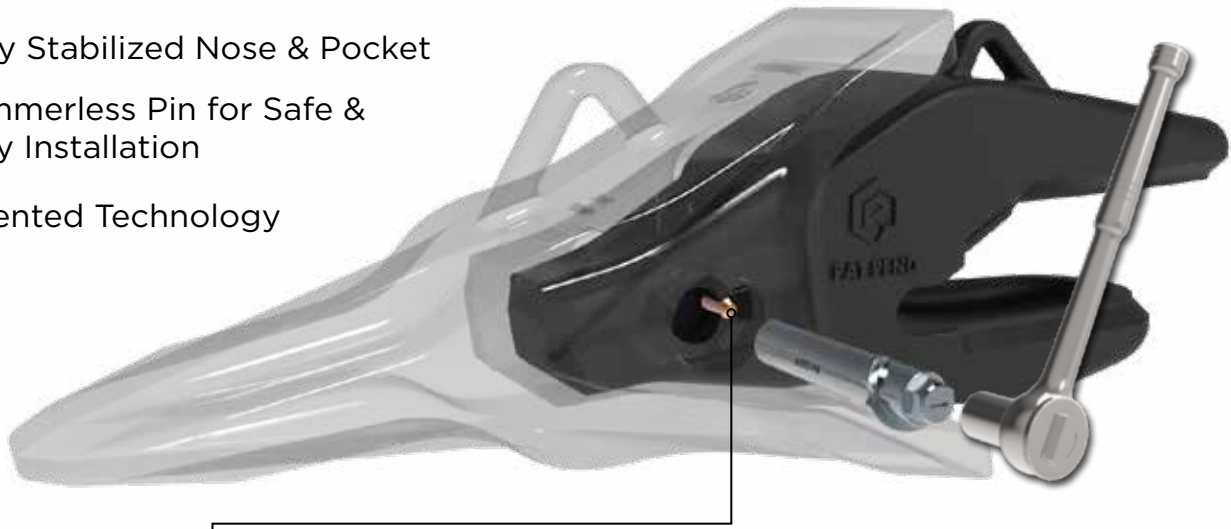
- Fully Stabilized Nose & Pocket
- Hammerless Pin for Safe & Easy Installation





REVOLUTION
BLACK CAT HAMMERLESS PATENTED TECHNOLOGY

- Fully Stabilized Nose & Pocket
- Hammerless Pin for Safe & Easy Installation
- Patented Technology

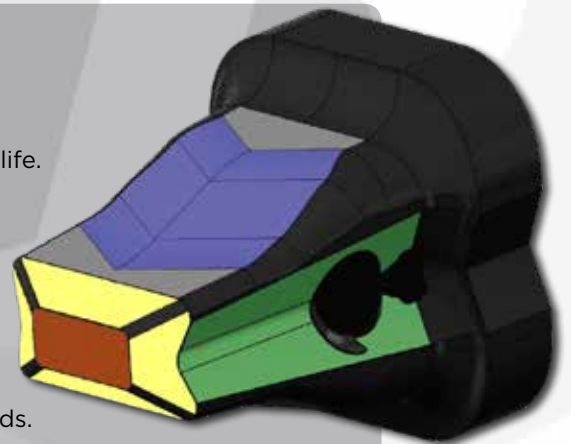


Hammerless Pin & Lock

- Fully hammerless installation & removal for safe and easy use.
- Accept both imperial or metric socket, female square drive on opposite end.
- Lock and pin may be used on either side of nose.
- Locks with 180° clockwise turn of pin with socket wrench.
- Pin removal pulls out excess material around the pin head.

Fully Stabilized Nose & Tooth Pocket

- Primary contact for frontal loads. Bottom out fit with pocket mitigates fit erosion through service life.
- Secondary contact areas for off center frontal loads. Planer bearing areas provide longer service life.
- Redundant frontal load bearing if the primary and secondary areas are worn from tooth overuse.
- Front = Primary bearing area for vertical tooth loads. Rear (opposite side) = Reactive load bearing area for vertical loads.
- V design forces the tooth to center on the nose when heavy side forces are encountered. Preventing pin loading and increases fit integrity.



www.blackcatwearparts.com sales@blackcatwearparts.com Toll Free: 1.800.661.6666 T: 780.465.6666 F: 780.465.9595

Caterpillar® and other identities and/or trademarks referred to in this publication are the registered marks of the entities noted herein. The use of any trademarks of others than Black Cat Wear Parts Ltd. are solely and exclusively for identification, informational, comparative, and descriptive purposes. Black Cat Wear Parts Ltd. is not affiliated with any owner of such registered marks and does not make, use, or sell any products manufactured by any such entity identified in this publication.

810.0621