



RVL Systems

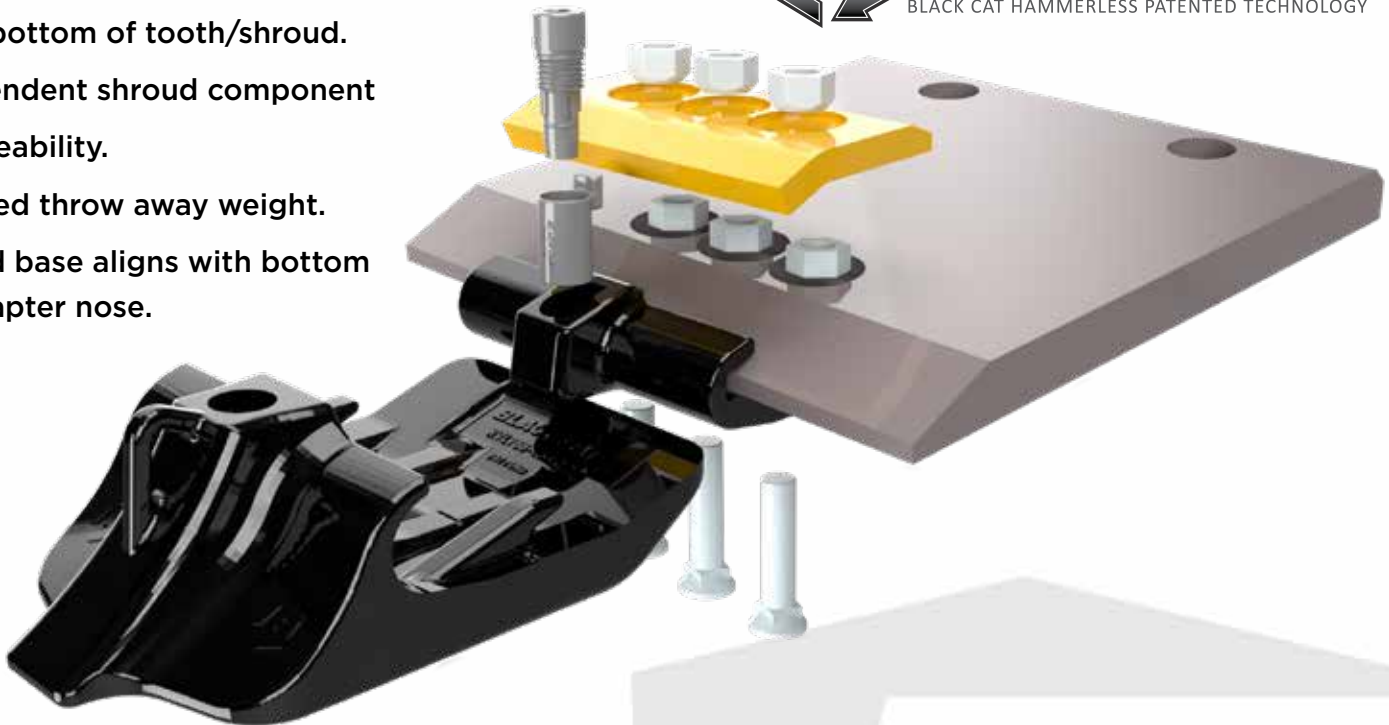
for Applications on Caterpillar® Equipment

Multi piece RVL system benefits

- Flush bottom of tooth/shroud.
- Independent shroud component replaceability.
- Reduced throw away weight.
- Shroud base aligns with bottom of adapter nose.



REVOLUTION
BLACK CAT HAMMERLESS PATENTED TECHNOLOGY



988

Replaces	Part #	Weight	Dimensions				Top plates
			Length	Thickness	2" Lips	2-1/2" Lips	
1167460	RVL988-1225C	123 lbs	12.25"	3.35"	RVL988B200C RVL988B200R RVL988B200L	RVL988B250C RVL988B250R RVL988B250L	RVL988TPC RVL988TPR RVL988TPL
1167461	RVL988-1225R						
1167462	RVL988-1225L						
1099080	RVL988-1350C	136 lbs	13.50"	RVL2-C4369 Converter RVL2-P50 Pin	RVL2-C4370 Converter RVL2-P50 Pin		
1099081	RVL988-1350R						
1099082	RVL988-1350L						

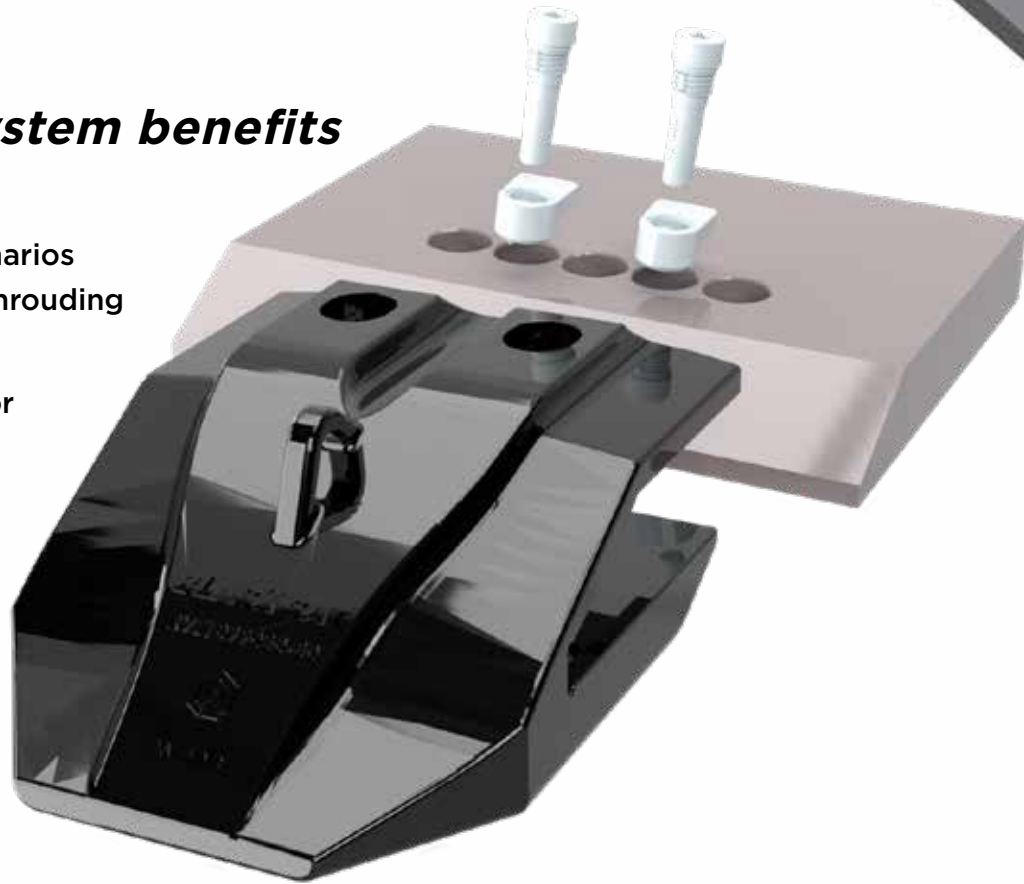
990/992

Replaces	Part #	Weight	Dimensions			Top plates
			Length	Thickness	2-1/2," 2-3/4" and 3" Lips	
2755470	RVL992-1625C	229 lbs	16.25"	3.59"	RVL992B300C RVL992B300L RVL992B300R	RVL992TPC RVL992TPL RVL992TPR
2755471	RVL992-1725L	247 lbs	17.25"			
2755472	RVL992-1725R					



Single piece RVL system benefits

- Simple one piece system.
- For non-quarry production scenarios where smooth bottom loader shrouding system is not so critical.
- Sealed pinning system allows for replacements in the field rather than returning to maintenance building.



992 with 35dg bevel

Replaces	Part #	Weight	Dimensions			Hardware
			Length	Thickness	Lip Thickness	
2755470	RVL2755470-7535	256 lbs	16.25"	2.37"	3.00"	RVL2-C7553 RVL2-P80
2755471	RVL2755471-7535	284 lbs	17.25"			
2755472	RVL2755472-7535					

993 with 35dg bevel

Replaces	Part #	Weight	Dimensions			Hardware
			Length	Thickness	Lip Thickness	
2755470	RVL2755470-9035	275 lbs	16.25"	2.5"	3.50"	RVL2-C7553 RVL2-P90
2755471	RVL2755471-9035	307 lbs	17.25"			
2755472	RVL2755472-9035					

994 with 22.5dg bevel

Replaces	Part #	Weight	Dimensions			Hardware
			Length	Thickness	Lip Thickness	
1099030	RVL1099030	345 lbs	17.5"	2.75"	4.00"	RVL2-C7553 RVL2-P100
1176805	RVL1176805	389 lbs				
1176806	RVL1176806					

994 with 30dg bevel

Replaces	Part #	Weight	Dimensions			Hardware
			Length	Thickness	Lip Thickness	
1099030	RVL1099030-30	345 lbs	17.5"	2.75"	4.00"	RVL2-C7553 RVL2-P100
1176805	RVL1176805-30	389 lbs				
1176806	RVL1176806-30					

www.blackcatwearparts.com sales@blackcatwearparts.com Toll Free: 1.800.661.6666 T: 780.465.6666 F: 780.465.9595

Caterpillar® and other identities and/or trademarks referred to in this publication are the registered marks of the entities noted herein. The use of any trademarks of others than Black Cat Wear Parts Ltd. are solely and exclusively for identification, informational, comparative, and descriptive purposes. Black Cat Wear Parts Ltd. is not affiliated with any owner of such registered marks and does not make, use, or sell any products manufactured by any such entity identified in this publication.

285.0923