

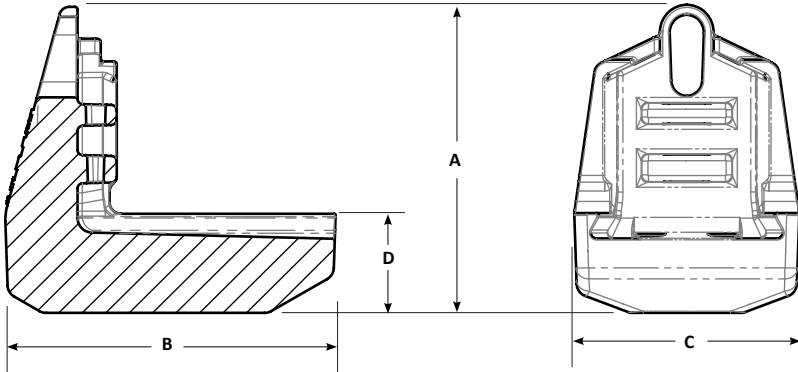


BLACK CAT

WEAR PARTS

RV HEEL SHROUD SYSTEM

REVOLUTION



Fastener

Bolt

Heel Shroud

Base

Machine Class (Tons)	Family	Mechanical Shroud	Weight	A	B	C	D	Base	Fastener
Up to 200	20	RVHS20-45	42.6 lb 19.3 kg	8.30" 210 mm	8.80" 224 mm	6.20" 158 mm	2.70" 69 mm	RVHS20B	RVHS20P
200 - 300	30	RVHS30-75	74.3 lb 33.7 kg	9.90" 252 mm	10.60" 269 mm	7.50" 191 mm	3.20" 81 mm	RVHS30B	RVHS30P
300 - 400	40	RVHS40-120	118.3 lb 53.7 kg	11.60" 295 mm	12.40" 315 mm	8.70" 221 mm	3.70" 94 mm	RVHS40B	RVHS40P
400 & Higher	50	RVHS50-180	168.0 lb 76.2 kg	11.90" 229 mm	14.20" 361 mm	10.00" 254 mm	4.30" 109 mm	RVHS50B	RVHS50P

(Shroud is made from wear resistant 500 material and base is made from weld friendly 400 material)

Caterpillar® and other identities and/or trademarks referred to in this publication are the registered marks of the entities noted herein. The use of any trademarks of others than Black Cat Wear Parts Ltd. are solely and exclusively for identification, informational, comparative, and descriptive purposes. Black Cat Wear Parts Ltd. is not affiliated with any owner of such registered marks and does not make, use, or sell any products manufactured by any such entity identified in this publication.