



BLACK CAT

WEAR PARTS



RV TEETH & ADAPTERS



RS



PP



VT



E



EH



T



TT



F



LD



LDL



AG

Teeth

Series	RS	PP	VT	E	EH	T	TT	F	LD	LDL	AG
225	-	RV225PP 3.9 lb 1.8 kg	-	-	-	-	-	RV225F 4.5 lb 2.0 kg	-	-	-
250	-	RV250PP 6.0 lb 2.7 kg	-	-	-	-	-	RV250F 7.0 lb 3.2 kg	-	-	-
300	-	RV300PP 9.0 lb 4.1 kg	-	-	-	-	-	RV300F 11.0 lb 5.0 kg	RV300LD 14.0 lb 6.4 kg	-	-
350	RV350RS 13.0 lb 5.9 kg	RV350PP 14.0 lb 6.4 kg	-	-	-	RV350T 13.0 lb 5.9 kg	RV350TT 15.0 lb 6.8 kg	RV350F 16.0 lb 7.3 kg	-	RV350LDL 22.0 lb 10.0 kg	-
400	RV400RS 20.0 lb 9.1 kg	RV400PP 20.0 lb 9.1 kg	-	RV400E 25.0 lb 11.4 kg	-	RV400T 18.0 lb 8.2 kg	RV400TT 24.0 lb 10.9 kg	RV400F 24.0 lb 10.9 kg	RV400LD 37.0 lb 16.8 kg	RV400LDL 32.0 lb 14.5 kg	-
450	RV450RS 29.0 lb 13.2 kg	RV450PP 30.0 lb 13.6 kg	-	RV450E 35.0 lb 15.9 kg	-	RV450T 27.0 lb 12.2 kg	RV450TT 35.0 lb 15.9 kg	RV450F 35.0 lb 15.9 kg	RV450LD 54.0 lb 24.5 kg	RV450LDL 48.0 lb 21.8 kg	-
550	RV550RS 48.0 lb 21.8 kg	RV550PP 50.0 lb 22.7 kg	-	RV550E 53.0 lb 24.0 kg	-	RV550T 43.0 lb 19.5 kg	RV550TT 54.0 lb 24.5 kg	RV550F 56.0 lb 25.4 kg	RV550LD 78.0 lb 35.4 kg	RV550LDL 66.0 lb 29.9 kg	RV550AG 76.4 lb 34.7 kg
600	RV600RS 61.0 lb 27.7 kg	-	-	RV600E 74.0 lb 33.6 kg	-	RV600T 58.0 lb 26.3 kg	RV600TT 73.0 lb 33.1 kg	RV600F 87.0 lb 39.5 kg	RV600LD 109.0 lb 49.4 kg	RV600LDL 90.0 lb 40.8 kg	RV600AG 103.6 lb 47.0 kg
700	RV700RS 82.0 lb 37.2 kg	-	RV700VT 99.0 lb 44.9 kg	RV700E 102.0 lb 46.3 kg	RV700EH 117.2 lb 53.2 kg	RV700T 80.0 lb 36.3 kg	RV700TT 105.0 lb 47.6 kg	-	RV700LD 149.0 lb 67.6 kg	RV700LDL 126.0 lb 57.2 kg	RV700AG 140.4 lb 63.7 kg



BLACK CAT

WEAR PARTS



RV TEETH & ADAPTERS

Series	Part Number	Weight	A	B	C	D	Back Shape
225	RV225-100C	5.6 lb 2.5 kg	1.00" 25 mm	22.5°/30.0°	7.78" 198 mm	2.47" 63 mm	R
250	RV250-125C30	9.0 lb 4.1 kg	1.25" 32 mm	30.0°	8.29" 211 mm	2.88" 73 mm	R
300	RV300-4T4307 (8E5308/09)	32.0 lb 14.5 kg	1.25" 32 mm	22.5°	15.53" 395 mm	4.23" 107 mm	R
	RV300-125C30	13.0 lb 5.9 kg	1.25" 32 mm	30.0°	10.38" 264 mm	3.30" 84 mm	R
	RV300-150C30	13.0 lb 5.9 kg	1.50" 38 mm	30.0°	10.38" 264 mm	3.30" 84 mm	R
350	RV350-3G3357 (8E5358/59)	49.0 lb 22.2 kg	1.50" 38 mm	22.5°	16.70" 424 mm	5.00" 127 mm	R
	RV350-150C22 (L/R)	22.0 lb 10.0 kg	1.50" 38 mm	22.5°	12.21" 310 mm	3.88" 99 mm	S
	RV350-150C30	21.0 lb 9.5 kg	1.50" 38 mm	30.0°	12.21" 310 mm	3.88" 99 mm	R
	RV350-157C22	23.0 lb 10.4 kg	1.57" 40 mm	22.5°	12.21" 310 mm	3.88" 99 mm	S
	RV350-175C30	20.0 lb 9.1 kg	1.75" 45 mm	30.0°	12.21" 310 mm	3.88" 99 mm	R
400	RV400-150C30SB	35.5 lb 16.0 kg	1.50" 38 mm	30.0°	14.00" 356 mm	4.50" 114 mm	S
	RV400-6I9898 (6I8243/44)	56.0 lb 25.4 kg	1.75" 45 mm	22.5°	17.98" 457 mm	5.19" 132 mm	R
	RV400-175C22 (L/R)	34.0 lb 15.4 kg	1.75" 45 mm	22.5°	14.00" 356 mm	4.50" 114 mm	S
	RV400-175C30	32.0 lb 14.5 kg	1.75" 45 mm	30.0°	14.00" 356 mm	4.50" 114 mm	R
	RV400-200C30	31.0 lb 14.1 kg	2.00" 51 mm	30.0°	14.00" 356 mm	4.50" 114 mm	R
	RV400-200C30SB (L/R)	35.5 lb 16.1 kg	2.00" 51 mm	30.0°	14.00" 356 mm	4.50" 114 mm	S
450	RV450-200C22 (L/R)	48.0 lb 21.8 kg	2.00" 51 mm	22.5°	15.91" 404 mm	5.05" 128 mm	S
	RV450-200C30 (SL)	47.0 lb 21.3 kg	2.00" 51 mm	30.0°	15.91" 404 mm	5.05" 128 mm	R
	RV450-200C30SB (L/R) (SL)	50.0 lb 22.7 kg	2.00" 51 mm	30.0°	15.91" 404 mm	5.05" 128 mm	S
	RV450-238C22	47.0 lb 21.3 kg	2.40" 61 mm	22.5°	15.91" 404 mm	5.05" 128 mm	S
	RV450-238C30	46.0 lb 20.9 kg	2.40" 61 mm	30.0°	15.91" 404 mm	5.05" 128 mm	R
	RV450-250C30	45.0 lb 20.4 kg	2.50" 64 mm	30.0°	16.28" 414 mm	5.05" 128 mm	R



BLACK CAT

WEAR PARTS

RV TEETH & ADAPTERS

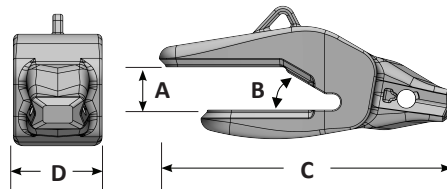
Series	Part Number	Weight	A	B	C	D	Back Shape
550	RV550-200C22 (L/R)	63.0 lb 28.6 kg	2.00" 51 mm	22.5°	17.89" 454 mm	5.68" 144 mm	S
	RV550-250C22 (L/R) (SL)	67.0 lb 30.4 kg	2.50" 64 mm	22.5°	17.89" 454 mm	5.68" 144 mm	S
	RV550-250C30 (SL)	67.0 lb 30.4 kg	2.50" 64 mm	30.0°	17.89" 454 mm	5.68" 144 mm	R
	RV550-250C30SB (L/R) (SL)	69.0 lb 31.3 kg	2.50" 64 mm	30.0°	17.89" 454 mm	5.68" 144 mm	S
	RV550-275C30	62.0 lb 28.1 kg	2.75" 70 mm	30.0°	17.89" 454 mm	5.68" 144 mm	R
600	RV600-250C22 (L/R)	105.0 lb 47.6 kg	2.50" 64 mm	22.5°	20.80" 528 mm	6.38" 162 mm	S
	RV600-250C30	110.0 lb 49.9 kg	2.50" 64 mm	30.0°	20.80" 528 mm	6.38" 162 mm	S
	RV600-275C22 (L/R) (SL)	104.0 lbs 47.2 kg	2.75" 70 mm	22.5°	20.80" 528 mm	6.38" 162 mm	S
	RV600-275C30SB (L/R) (SL)	103.0 lb 46.7 kg	2.75" 70 mm	30.0°	20.80" 528 mm	6.38" 162 mm	S
	RV600-300C22	103.0 lb 46.7 kg	3.00" 76 mm	22.5°	20.80" 528 mm	6.38" 162 mm	S
	RV600-300C30	95.0 lb 43.1 kg	3.00" 76 mm	30.0°	20.80" 528 mm	6.38" 162 mm	R
	RV600-300C30SB (L/R)	99.0 lb 44.9 kg	3.00" 76 mm	30.0°	20.80" 528 mm	6.38" 162 mm	S
700	RV700-275C30SB (L/R) (SL)	157.0 lb 71 mm	2.75" 70 mm	30.0°	23.50" 597 mm	7.00" 178 mm	S
	RV700-300C22 (L/R) (SL)	154.0 lb 70 mm	3.00" 76 mm	22.5°	23.50" 597 mm	7.00" 178 mm	S
	RV700-300C30	147.0 lb 66.7 mm	3.00" 76 mm	30.0°	23.50" 597 mm	7.00" 178 mm	R
	RV700-300C30SB (L/R) (SL)	159.0 lb 72 mm	3.00" 76 mm	30.0°	23.50" 597 mm	7.00" 178 mm	S
	RV700-315C22 (L/R)	150.0 lb 68 mm	3.15" 80 mm	22.5°	23.50" 597 mm	7.00" 178 mm	S
	RV700-350C30	150.0 lb	3.50"	30.0°	23.50" 597 mm	7.00" 178 mm	S

Adapters

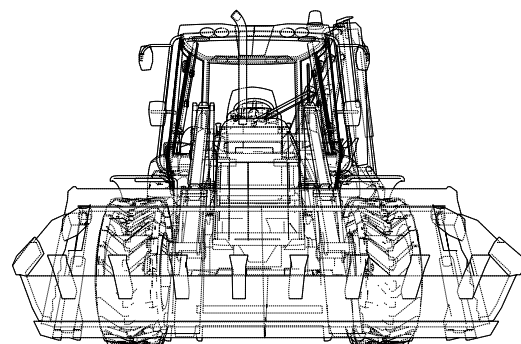


Fully stabilized nose and pocket.

Hammerless pin for easy & safe installation.



(L/R) Left and Right Hand Spade Adapters Available
(SL) Straddle Leg End Adapters Available
(IC) Integral Corner Adapters Available
R Round
S Square



Caterpillar® and other identities and/or trademarks referred to in this publication are the registered marks of the entities noted herein. The use of any trademarks of others than Black Cat Wear Parts Ltd. are solely and exclusively for identification, informational, comparative, and descriptive purposes. Black Cat Wear Parts Ltd. is not affiliated with any owner of such registered marks and does not make, use, or sell any products manufactured by any such entity identified in this publication.

www.blackcatwearparts.com
sales@blackcatwearparts.com
 +1-780-465-6666
 1-800-661-6666

**STRONG ENOUGH
TO ANSWER ANY CALL!**

275.0724



BLACK CAT
WEAR PARTS

**RV TEETH
& ADAPTERS**



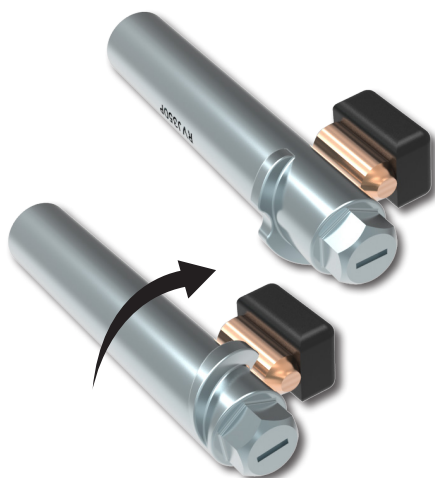
REVOLUTION

- Fully Stabilized Nose & Pocket
- Hammerless Pin for Safe & Easy Installation
- Patented Technology



Hammerless Pin & Lock

- Fully hammerless installation & removal for safe and easy use.
- Accept both imperial or metric socket, female square drive on opposite end.
- Lock and pin may be used on either side of nose.
- Locks with 180° clockwise turn of pin with socket wrench.
- Pin removal pulls out excess material around the pin head.



Fully Stabilized Nose & Tooth Pocket

- Primary contact for frontal loads.
Bottom out fit with pocket mitigates fit erosion through service life.
- Secondary contact areas for off center frontal loads.
Planer bearing areas provide longer service life.
- Redundant frontal load bearing if the primary and secondary areas are worn from tooth overuse.
- Front = Primary bearing area for vertical tooth loads.
Rear (opposite side) = Reactive load bearing area for vertical loads.
- V design forces the tooth to center on the nose when heavy side forces are encountered. Preventing pin loading and increases fit integrity.

